

LED AREA FLOOD LIGHTING

BAY LIGHTING

WAPA

series



The WAPA series from Lighting Technology International provides a durable and high quality yet light weight and affordable solution for outdoor area lighting. With the state of the art LTI colling technology and optimised distrubution, the WAPA series suits a variety of applications including, outdoor sports, parking, harbours and mining.



**LIGHTING
TECHNOLOGY**

LED AREA FLOOD LIGHTING

WAPA series



UNRIVALED EFFICACY

The WAPA series harnesses the reflector technology to produce unrivaled efficiency and efficacy, up to 145lm/W.

COOLING TECHNOLOGY

With quality heat sinks, high grade aluminium and an intelligent design to promote natural convection the WAPA series extends its life way beyond the norm.

OUTSTANDING DURABILITY

Designed with corrosion, weathering and rough handling in mind the WAPA series undergoes a variety of stress tests to ensure it meets all requirements needs and more.

POWERFUL LED AND REFLECTOR TECHNOLOGY

The WAPA series utilises a unique reflector technology to distribute light which improves not only efficacy but also allows the WAPA to be aimed with extreme accuracy.

EXCELLENT LIGHT DISTRIBUTION

Throughout the different models and specifications of the WAPA series there is a variety of beam distributions all which have been designed to maximise illumination while minimising light pollution and glare.

OPTIMISED FOR WIRELESS CONTROL

Each WAPA is capable being controlled wirelessly. As the WAPA is an LED this means not only can it be remotely turned on and off but also dimming up and down. This cuts down on infrastructure costs

REPLACEMENT FOR HID FLOODLIGHT

The WAPA series was designed specifically to replace its metal halide counterpart while providing a 60% reduction in ongoing power costs.

WAPA series

APPLICATIONS

Thanks to the WAPA's unrivaled performance and longevity, along with the range of models in the series, it can be utilised in a range of vastly different settings.



HARBOURS



**OUTDOOR
SPORTS**



MINING



**PARKING
LOTS**



**AREA
LIGHTING**

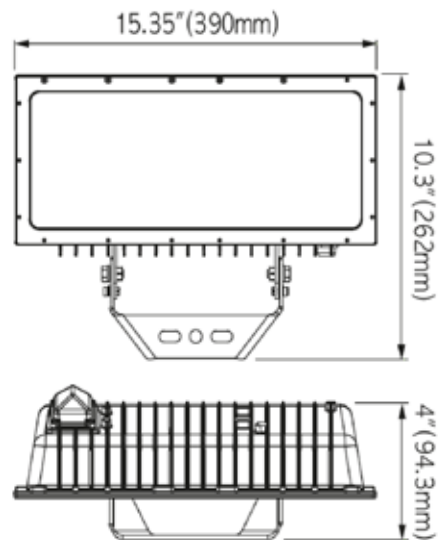


WAPA series - models WAPA080 / WAPA100 / WAPA130 / WAPA160

WAPA series 50W

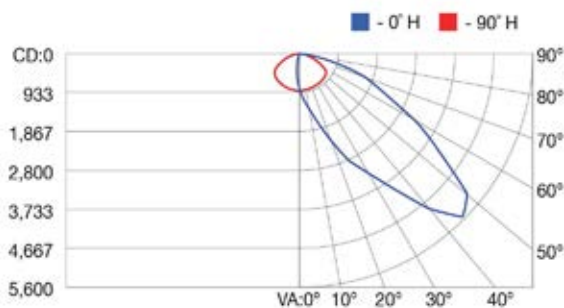


DIMENSIONS



SIZE (W X L X H) 15.4 x 9.5 x 4.4 (inch)
390 x 242 x 110.5 (mm)

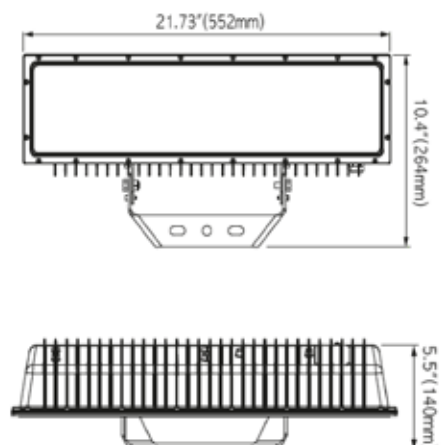
PHOTOMETRY DATA (5700K)



WAPA series 75W

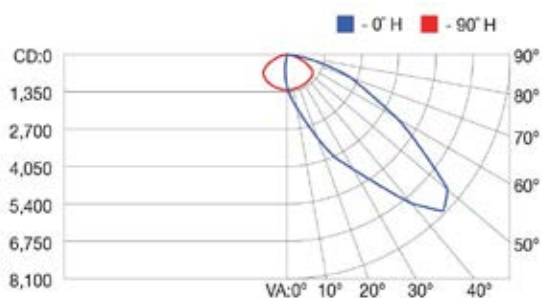


DIMENSIONS



SIZE (H X L X H) 21.8 x 10.3 x 4.0 (inch)
552 x 261 x 101 (mm)

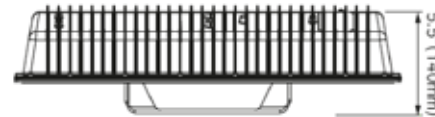
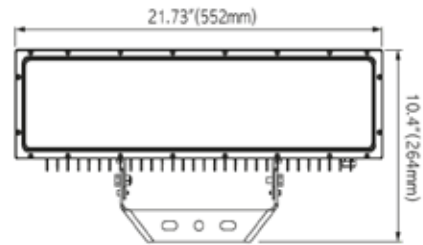
PHOTOMETRY DATA (5700K)



WAPA series 100W

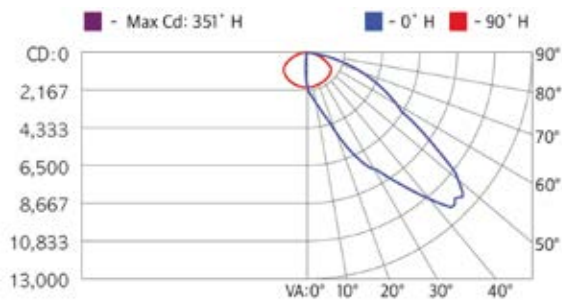


DIMENSIONS



SIZE (H X L X H) 21.8 x 10.3 x 4.0 (inch)
552 x 261 x 101 (mm)

PHOTOMETRY DATA (5700K)



SPECIFICATIONS

Model	Power	* Luminous Efficacy	* Luminous Flux	Color Temperature	CRI	Weight	Input Voltage	Operation Temperature
WP050	50W		6,750 lm	5000K		3.2 kg / 7.1 lb		
WP075	75W	135 lm/W	10,125 lm	(3500K, 4000K 6500K available)	80 Ra	4.2 kg / 9.3 lb	AC100~277V AC100~240V	-30°C~60°C -22°F~140°F
WP100	100W		13,500 lm			4.2 kg / 9.3 lb		

Body Cover Finish	Cast Aluminum Tempered Glass 3.2T (Clear) Powder Coating	Mounting Option Light Distribution Control System	Wall Mount, Mount Bracket, Pole Mount Asymmetric Wide Wireless / Sensor (Daylight) <small>more details of GeSS on p.76</small>
--	--	--	---

CERTIFICATIONS

- UL / FCC / DLC
- CE / VDE
- C-Tick
- PSE
- KC / EE
- TIS / SABS

CONTROL SPECIFICATIONS (OPTIONAL)

ZigBee		Wireless Control
Input Voltage		15 Vdc
Max. Power Consumption		0.3 W (@15Vdc)
Standard		2.4 GHz - IEEE 802.15.4 (Compatible)
Network		Mesh
RF Tx Power		Max. +8 dBm (Typ. 5 dBm)
Data Rate		250 kbps
Security		128 bit AES Encryption Algorithms
Dimmer		PWM, 0 – 10 Vdc
Antenna		Omni Type, 2 dBi
Daylight Sensor		
Operating Voltage Range		5 Vdc (MAX. 6 Vdc)
Max. Power Consumption		40 mW (@5Vdc)
Detectable Illumination Range		9.2 – 92 fc (Default : 64 fc) / 100 – 1,000 lx (Default : 700 lx)
Output Signal		DC level

LED AREA FLOOD LIGHTING

WAPA series



**LIGHTING
TECHNOLOGY**

Unit 18/41-49 Norcal Rd,
Nunawading, Vic Australia

tel : +61 39872 7600
e-mail : sales@lightingtechnology.com.au