

LED AREA FLOOD LIGHTING

STREET LIGHTING

META

series

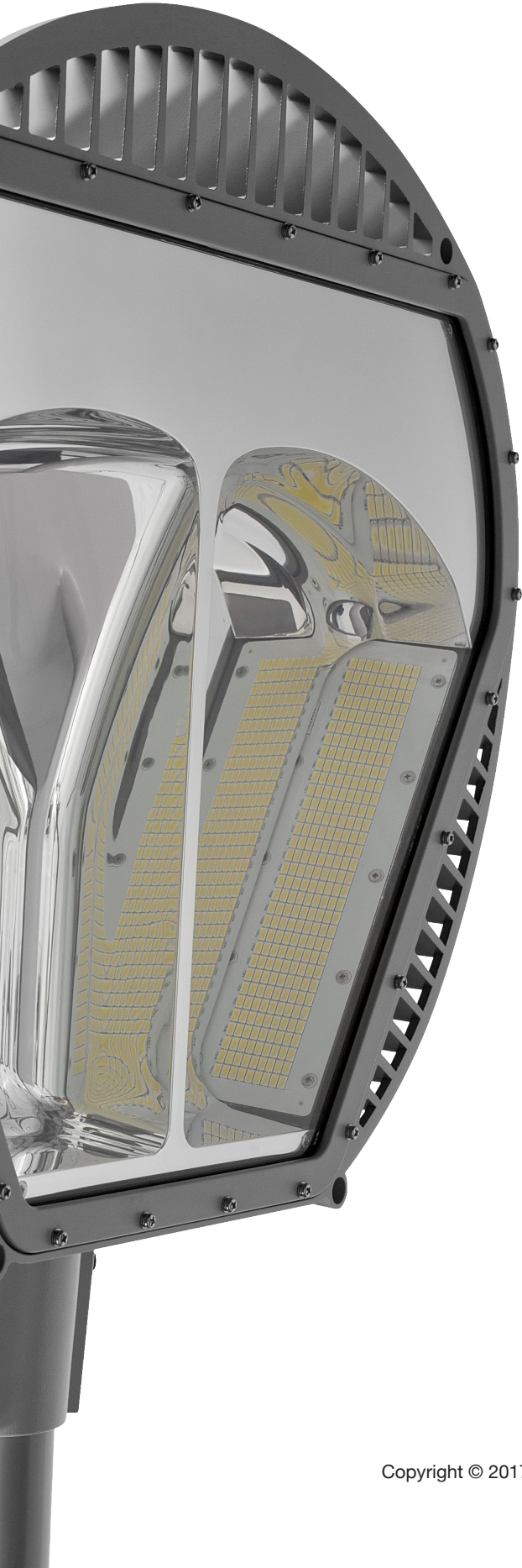
The META series from Lighting Technology International provides a durable and high quality yet light weight and affordable solution for street and highway lighting. With the state of the art LTI cooling technology, optimised distribution and with the ability for wireless control, the META series is the new standard for street lighting.



LIGHTING
TECHNOLOGY

LED AREA FLOOD LIGHTING

META series



UNRIVALED EFFICACY

The META series harnesses the reflector technology to produce unrivaled efficiency and efficacy, up to 145lm/W.

COOLING TECHNOLOGY

With quality heat sinks, high grade aluminium and an intelligent design to promote natural convection the META series extends its life way beyond the norm.

OUTSTANDING DURABILITY

Designed with corrosion, weathering and rough handling in mind the META series undergoes a variety of stress tests to ensure it meets all requirements needs and more.

POWERFUL LED AND REFLECTOR TECHNOLOGY

The META series utilises a unique reflector technology to distribute light which improves not only efficacy but also allows the META to be aimed with extreme accuracy.

EXCELLENT LIGHT DISTRIBUTION

Throughout the different models and specifications of the META series there is a variety of beam distributions all which have been designed to maximise illumination while minimising light pollution and glare.

OPTIMISED FOR WIRELESS CONTROL

Each META is capable being controlled wirelessly. As the META is an LED this means not only can it be remotely turned on and off but also dimming up and down. This cuts down on infrastructure costs

REPLACEMENT FOR HID FLOODLIGHT

The META series was designed specifically to replace its metal halide counterpart while providing a 60% reduction in ongoing power costs.

META series

APPLICATIONS

Thanks to the META's unrivaled performance and longevity, along with the range of models in the series, it can be utilised in a range of vastly different settings.



AREA
LIGHTING



STREET
LIGHTING



MINING

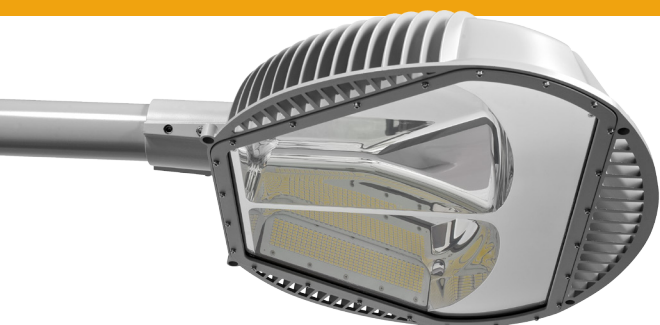


PARKING

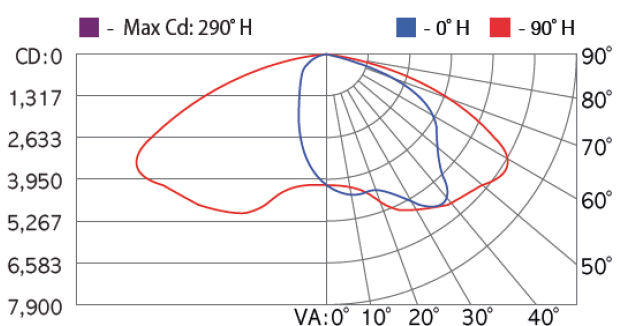


META series - models MT100 / MT130 / MT150 / MT180

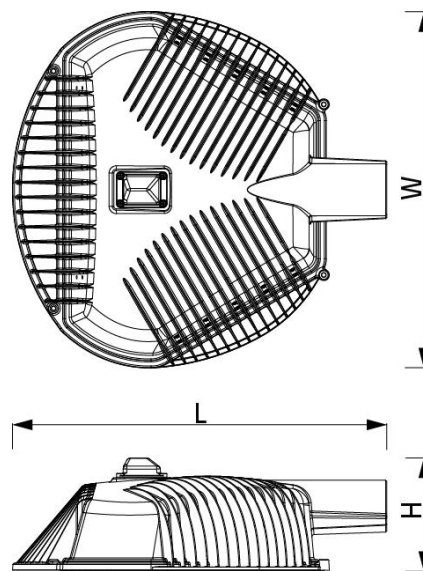
META series 100W / 130W / 150W



PHOTOMETRY DATA (5700K)



DIMENSIONS

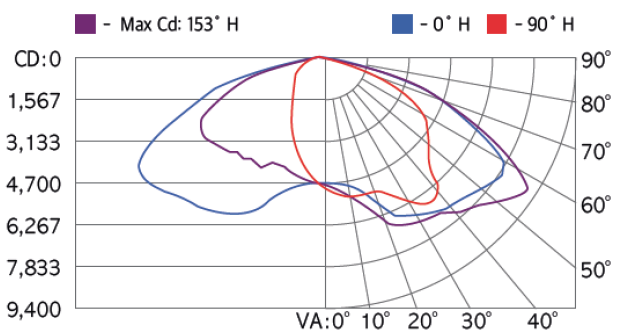


SIZE (L X W X H) 19.9 x 18.9 x 6.0 (inch)
505.0 x 480.0 x 152.8 (mm)

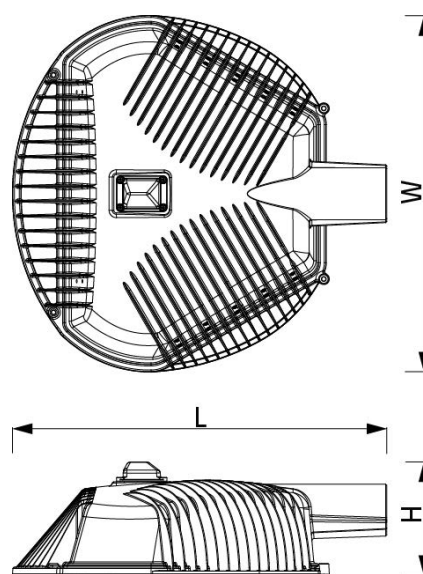
META series 180W



PHOTOMETRY DATA (5700K)



DIMENSIONS



SIZE (L X W X H) 19.9 x 18.9 x 6.0 (inch)
505.0 x 480.0 x 152.8 (mm)

LED AREA FLOOD LIGHTING

META series

SPECIFICATIONS

Model Name	MT180	MT150	MT130	MT100
Power Consumption	180W	150W	130W	100W
Light Source	0.2W Mid Power LED Chips			
CCT	5000K (5700K / 4000K / 3000K available)			
Luminous Flux *	25,200 lm	21,000 lm	18,200 lm	14,000 lm
Luminous Efficacy *	140 lm/W			
Color Rendering Index	80 Ra			
LED Driving Current	83.3 mA	68.2 mA	72.2 mA	71.4 mA
Light Distribution	Type III-S			
BUG Rating	B4 – UX – G4	B3 – U2 – G3		
LED Chip Manufacturer	SAMSUNG			
Input Voltage	100 ~ 277 Vac (*UL) / 100 ~ 240Vac(*Except UL)			
Input Current	Max. 2.3A (@100 Vac)	Max. 1.9A (@100 Vac)	Max. 1.55A (@100 Vac)	Max. 1.25A (@100 Vac)
Power Factor	≥0.9 at Max load			
Frequency	50 / 60 Hz			
Surge Protection	Line – Line 20kV , Line – FG 20kV			
Driver Type	Constant Current (CC)			
Fixture Manufacturer	KMW INC. / Made in Korea			
Size (L x W x H)	19.9 x 18.9 x 6.0 (inch) / 505 x 480 x 152.8 (mm)			
Weight (Driver included)	17.6 lb / 8.0 kg			
Material	Body	Cast Aluminum		
	Optic	Silver Coating Reflector		
	Cover	Tempered Glass 4.0T (Clear)		
Finish	Powder Coating			
IP Rating	IK Rating	IP66 / IK08		
Operating Temperature	-22°F ~ 140°F / -30°C ~ 60°C			
Option	Control Option	Wireless (ZigBee) / Sensor (Daylight)		
	Mounting Option	Horizontal Tenon Mount (*Mount Hole : Ø2.38 inch (Ø60.5 mm))		
Warranty	5 Years (12 hours usage per day)			

* Tolerance : ± 5%

CONTROL SPECIFICATIONS (OPTIONAL)

ZigBee	Wireless Control
Input Voltage	15 Vdc
Max. Power Consumption	0.36W (@15 Vdc)
Standard	2.4 GHz ~ IEEE 802.15.4 (Compatible)
Network	MESH
RF Tx Power	Max. +8 dBm (Typ. 5 dBm)
Data Rate	250 kbps
Security	128 bit AES Encryption Algorithms
Dimmer	PWM, 0 ~ 10 Vdc
Antenna	Omni Type, 2 dBi
Hybrid Sensor	Smart Sensor Module
Operating Voltage Range	5 ~ 50 Vdc (Typ. 15 Vdc)
Max. Power Consumption	0.6W (@15 Vdc)
Operating Temperature Range	-22°F ~ 122°F / -30°C ~ 50°C
Detectable Illumination Range	9.2 – 92 fc (Default : 64 fc) / 100 – 1,000 lx (Default : 700 lx)
LED Light BI-level Setting	0 % to 30 % (Adjustable) / 10% (Default)
Output Signal	PWM
Weight	0.33 lb / 150 g

CERTIFICATIONS

- UL / FCC / DLC
- CE / VDE
- C-Tick
- PSE
- KC / EE
- TIS / SABS
- SAA

LED AREA FLOOD LIGHTING

META series



**LIGHTING
TECHNOLOGY**

Unit 18/41-49 Norcal Rd,
Nunawading, Vic Australia

tel : +61 39872 7600
e-mail : sales@lightingtechnology.com.au

Copyright © 2017 Lighting Technology International. All rights reserved.
www.lightingtechnology.com.au

The information in this document is subject to change without notice.