

LED AREA FLOOD LIGHTING

SPORTS LIGHTING

SUFA

series



SUFA from Lighting Technology International is the new standard for sports field lighting, and is a proven solution for outdoor area lighting. With advanced cooling technology, unrivaled efficacy and outstanding durability, the SUFA series is unmatched in it's field.



**LIGHTING
TECHNOLOGY**

LED AREA FLOOD LIGHTING

SUFA series



UNRIVALED EFFICACY

The SUFA series harnesses the reflector technology to produce unrivaled efficiency and efficacy, up to 145lm/W.

COOLING TECHNOLOGY

With quality heat sinks, high grade aluminium and an intelligent design to promote natural convection the SUFA series extends its life way beyond the norm.

OUTSTANDING DURABILITY

Designed with corrosion, weathering and rough handling in mind the SUFA series undergoes a variety of stress tests to ensure it meets all requirements needs and more.

POWERFUL LED AND REFLECTOR TECHNOLOGY

The SUFA series utilises a unique reflector technology to distribute light which improves not only efficacy but also allows the SUFA to be aimed with extreme accuracy.

EXCELLENT LIGHT DISTRIBUTION

Throughout the different models and specifications of the SUFA series there is a variety of beam distributions all which have been designed to maximise illumination while minimising light pollution and glare.

REPLACEMENT FOR HID FLOODLIGHT

The SUFA series was designed specifically to replace its metal halide counterpart while providing a 60% reduction in ongoing power costs.

SUFA series

APPLICATIONS

Thanks to the SUFA's unrivaled performance and longevity, along with the range of models in the series, it can be utilised in a range of vastly different settings.



**AIRPORT
APRONS**



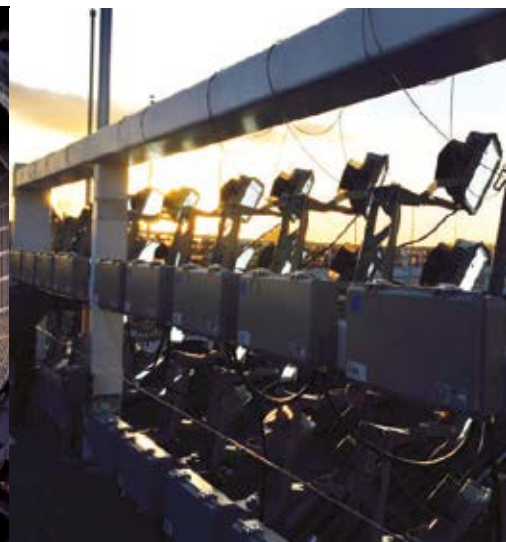
OUTDOOR SPORTS



HARBOURS



MINING



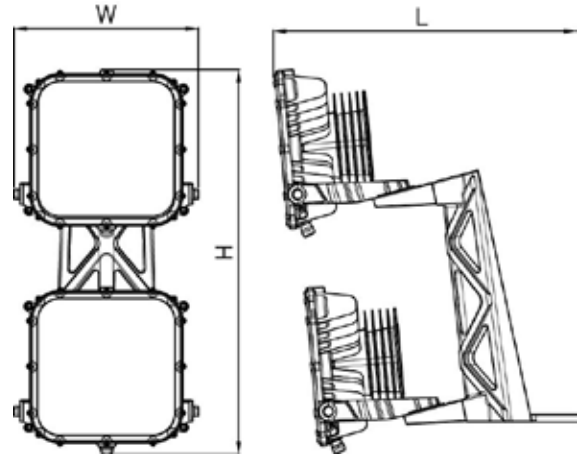
SUFA series - models

SFA800 / SFA1K0 / SFA1K2
SFX200 / SFX400 / SFX500 / SFX600 / SFX800 / SFX1K0 / SFX1K2

SUFA A 800W / 1000W / 1200W

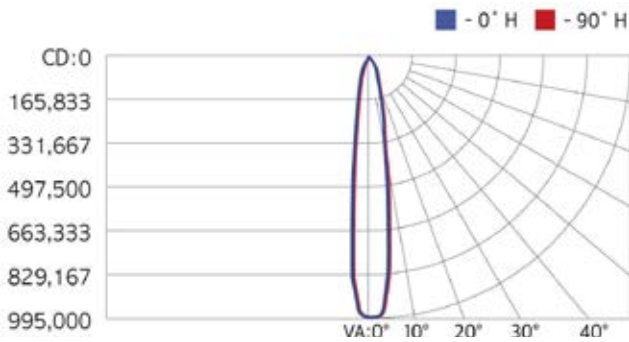


DIMENSIONS



SIZE (W X L X H) 14.3 x 29.8 x 23.5 (inch)
363.0 x 757.0 x 595.5 (mm)

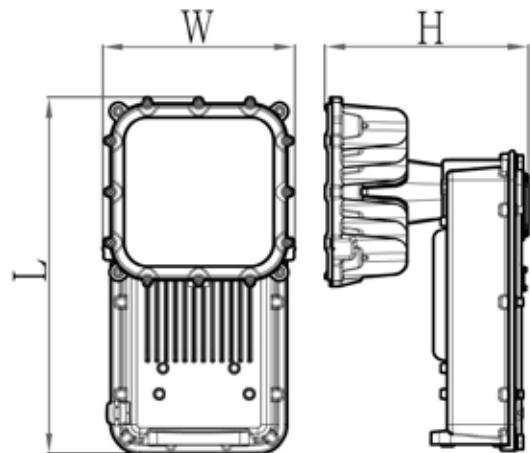
PHOTOMETRY DATA (5000K)



SUFA X 200W

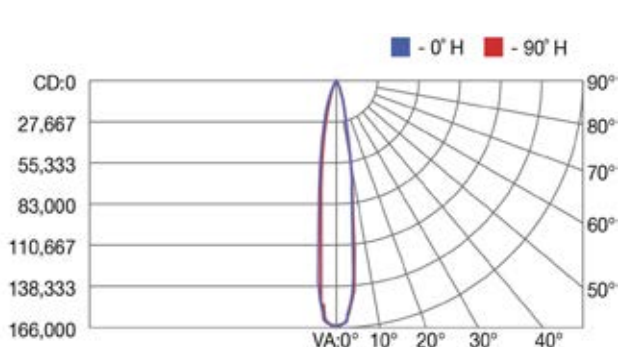


DIMENSIONS



SIZE (W X L X H) 8.0 x 15.1 x 10.1 (inch)
208.0 x 386.0 x 220.0 (mm)

PHOTOMETRY DATA (5000K)



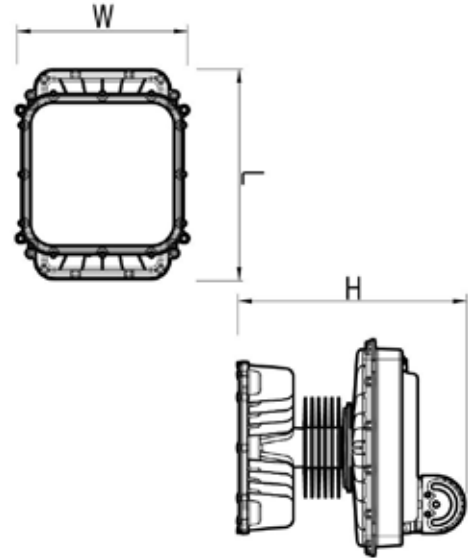
SUFA series - models

SFA800 / SFA1KO / SFA1K2
SFX200 / SFX400 / SFX500 / SFX600 / SFX800 / SFX1KO / SFX1K2

SUFA X 400W / 500W / 600W

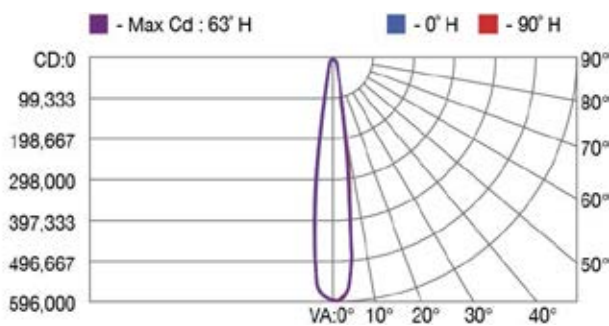


DIMENSIONS



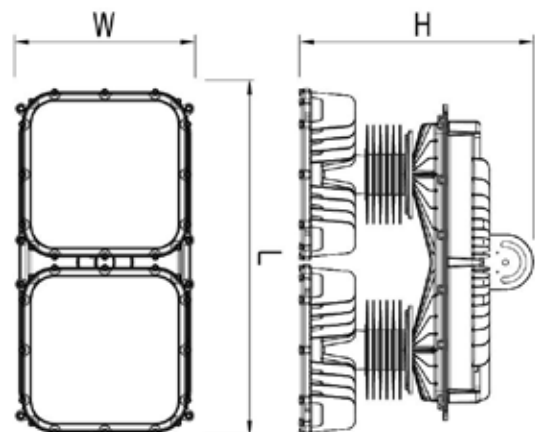
SIZE (W X L X H) 12.7 x 15.5 x 16.2 (inch)
323 x 393 x 412 (mm)

PHOTOMETRY DATA (5000K)



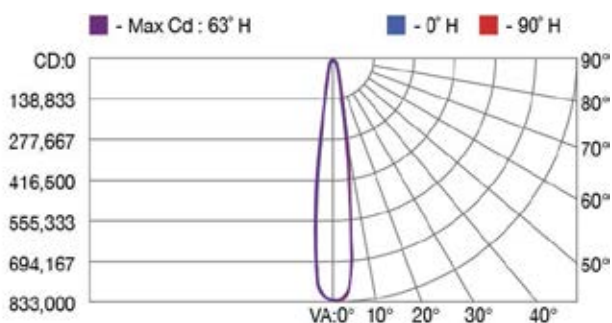
SUFA X 800W / 1000W / 1200W

DIMENSIONS



SIZE (W X L X H) 12.7 x 24.9 x 16.8 (inch)
323 x 632 x 426 (mm)

PHOTOMETRY DATA (5000K)



LED AREA FLOOD LIGHTING

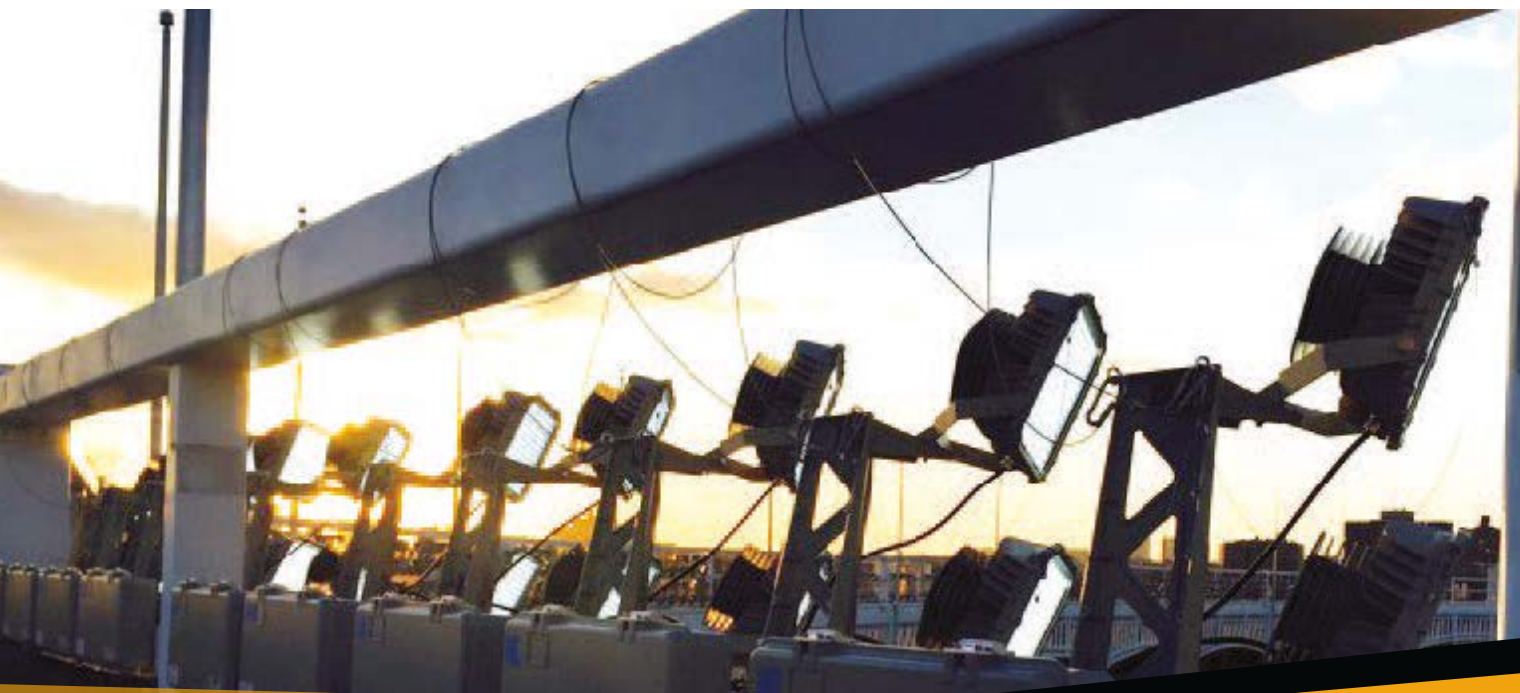
SUFA series

SPECIFICATIONS

Model	Power	Luminous Efficacy	Luminous Flux	Color Temperature	CRI	Weight	Input Voltage	Operation Temperature
SFX200	200W	105 lm/W 100 lm/W	21,000 lm 20,000 lm		80 Ra 90 Ra	6.6 kg / 14.5 lb		
SFX400	400W	105 lm/W 110 lm/W	42,000 lm 44,800 lm		80 Ra 70 Ra			
SFX500	500W	105 lm/W 110 lm/W	52,500 lm 55,000 lm		80 Ra 70 Ra	16.6 kg / 36.6 lb		
SFX600	600W	105 lm/W 110 lm/W	63,000 lm 66,000 lm	5000K (3000K, 4000K 5700K available)	80 Ra 70 Ra		AC200~277V AC347~480V	-30°C~55°C -22°F~131°F
SFX800	800W	105 lm/W 110 lm/W	84,000 lm 88,000 lm		80 Ra 70 Ra			
SFX1K0	1000W	105 lm/W 110 lm/W	105,000 lm 110,000 lm		80 Ra 70 Ra	32 kg / 70.6 lb		
SFX1K2	1200W	105 lm/W 110 lm/W	126,000 lm 132,000 lm		80 Ra 70 Ra			
SFA800	800W	105 lm/W 100 lm/W	84,000 lm 80,000 lm		80 Ra 90 Ra			
SFA1K0	1000W	105 lm/W 100 lm/W	105,000 lm 100,000 lm	5000K (3000K, 4000K 5700K available)	80 Ra 90 Ra	18 kg / 39.7lb	AC220~240V AC220~277V AC347~480V	-30°C~55°C -22°F~131°F
SFA1K2	1200W	105 lm/W 100 lm/W	126,000 lm 120,000 lm		80 Ra 90 Ra			

Body | Cast Aluminum
Cover | Tempered Glass 3.2T (Clear)
Finish | Powder Coating

Light Distribution | 15° / 20° / 30° / 45°
Control System | Wireless / Wired (RS-485)
more details of GeSS on p.76



CERTIFICATIONS

- UL / FCC / DLC
- CE / VDE
- C-Tick
- PSE
- KC / EE
- TIS / SABS

CONTROL SYSTEM (optional)

- ZigBee Wireless Control
- Input Voltage 15 Vdc
- Max. Power Consumption 0.3W (@15 Vdc)
- Standard 2.4 GHz – IEEE 802.15.4 (Compatible)
- Network Mesh
- RF Tx Power Max. +8 dBm (Typ. 5 dBm)
- Data Rate 250 kbps
- Security 128 bit AES Encryption Algorithms
- Dimmer PWM, 0 ~ 10 Vdc
- Antenna Omni Type, 2 dBi



LED AREA FLOOD LIGHTING

SUFA series



Unit 18/41-49 Norcal Rd,
Nunawading, Vic Australia

tel : +61 39872 7600
e-mail : sales@lightingtechnology.com.au